

GLOBAL ^{INC.} *base*

1 - CIRCUIT LIGHTING TRACK SYSTEM

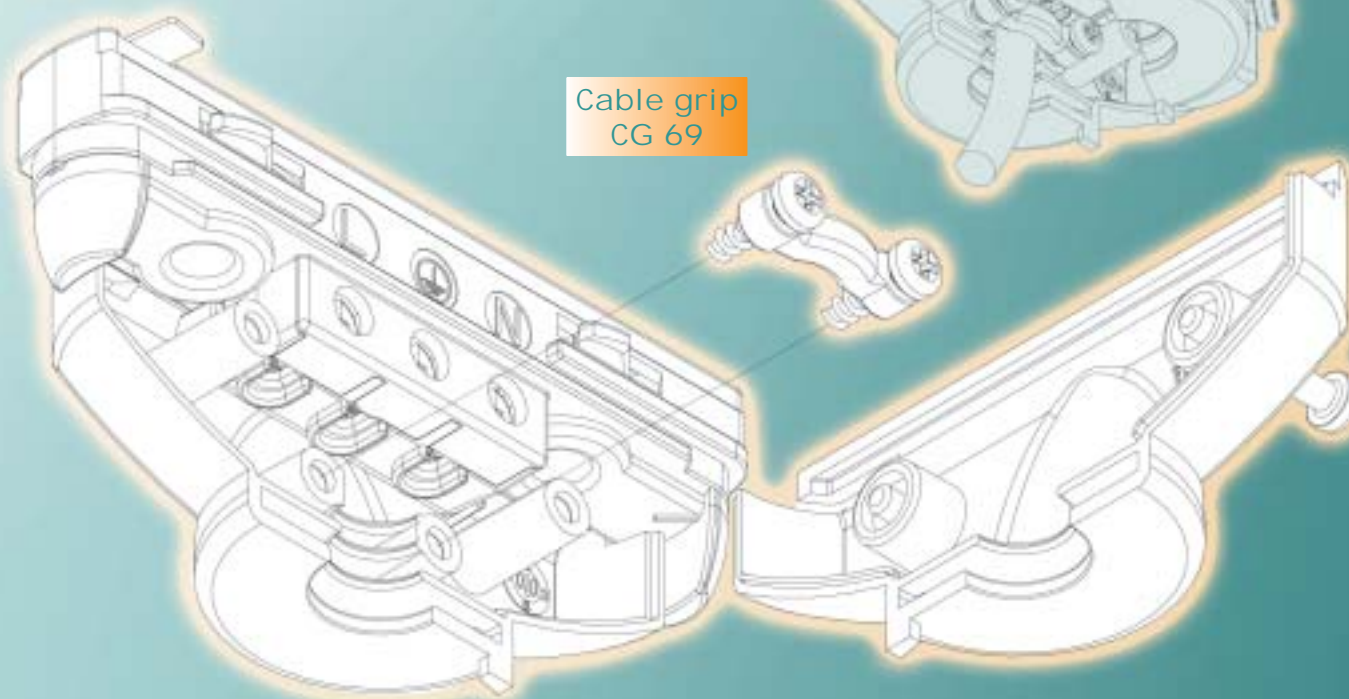


GB67 adapter

NQA

GB67 adapter

FOR HEAVY USE
pat.pend.



Cable grip
CG 69

Nipple

GLOBAL trac[®]
is registered
trade mark of
Nordic Aluminium Plc

FEATURES OF THE ADAPTER

- * Pull strength 100 N
- * Torque max 2,5 Nm
- * Protection class I
- * Rated values 16 A, 250 V
- * Power take-off
- * Conductor cross section max 2,5 mm²

USE

Intended for the connection of spotlights to the GLOBAL base 1-circuit track. The GB 67-adapter suits also Concord Lytespan 1 and Lytespan LP tracks.

ALUMINIUM NIPPLES



XTSA 55/12
M 13x1, l=12 mm
rotating



XTSA 56/8
M 13x1, l=8 mm
fixed



XTSA 57/8
M 10x1, l=8 mm
rotating



XTSA 57/12
M 10x1, l=12 mm
rotating



XTSA 58/8
M 10x1, l=8 mm
fixed



COLOURS

- * Grey 1
- * Black 2
- * White 3



NORDIC ALUMINIUM

P.O.Box 117, FIN-02401 Kirkkonummi, Finland

Tel. +358 9 68 251, fax +358 9 298 2154

www.nordicaluminium.fi
